

BW-Fixatoren®

Series S



...for the Levelling,
Adjustment and Fixation
of Floor Plates

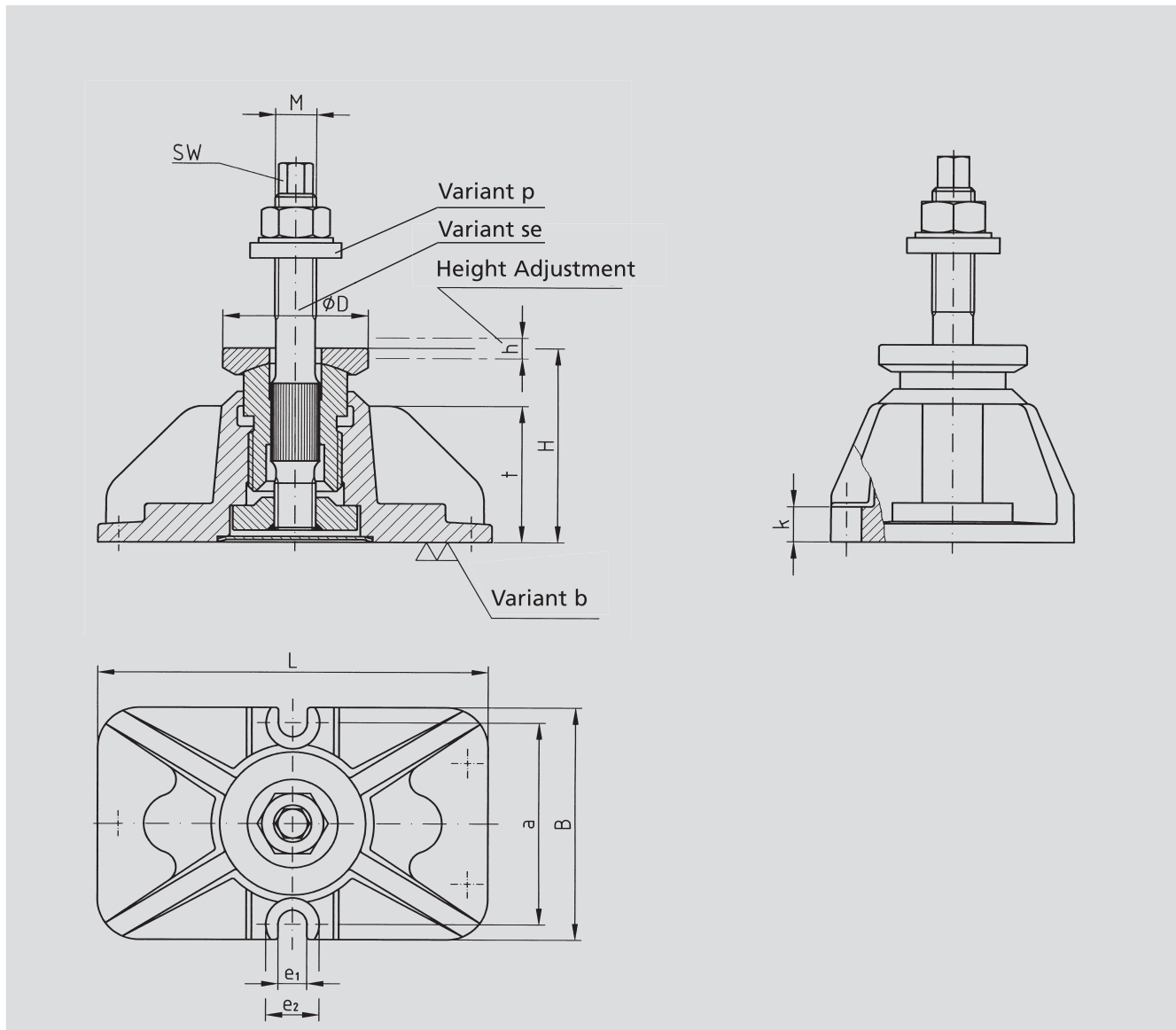
Installation Varieties and
Technical Information



BWF
...the best for accuracy.

Dimensions of Series S

GA Basic unit



Size	M	L	B	H	Ø D	h	SW	t	a	k	e1	e2
I	M16x1,5	168	105	80	57	8	12	60	88	16	12	22
II	M20x1,5	190	115	95	70	10	15	68	100	20	14	26
III	M24x1,5	220	140	113	82	12	19	83	120	25	18	32
IV	M30x1,5	280	185	140	100	16	24	97	150	32	24	38
V	M36x1,5	330	225	166	122	20	30	120	180	38	28	46

Technical Data for Series S

Size	Dim	S I	S II	S III	S IV	S V	
Permissible maximum load	N	90 000	120 000	240 000	360 000	600 000	
Recommended machine dead weight ¹⁾	N	10 000	20 000	40 000	60 000	100 000	
Spring constant in operation range ²⁾	N/μm	1500	2000	2 500	3 000	4 000	
Torque at adjusting screw	Specific	$\frac{\text{N}\cdot\text{m}}{10^3 \text{ kg}}$	35	45	50	60	70
	Maximum	N·m	120	240	480	960	2050
Max. Torque at the clamping nut	N·m	60	120	240	480	960	
Weight of basic unit	kg	3,25	5,10	8,40	15,30	27,60	
Vertical adjustment per screw turn	all sizes 2 mm						

¹⁾ Standard approach for determination of BW-Fixator® size.

²⁾ The operating range will be covered when the floor plate has been levelled and bound down with the anchor bolts.

Formula for calculating the Resilience of BW-Fixators® Serie S

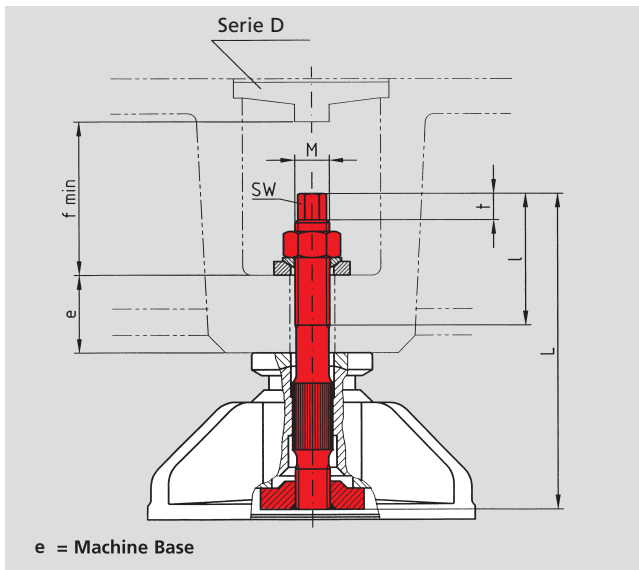
$$\Delta f[\mu\text{m}] = \frac{\Delta F}{c} = \frac{\text{Load change N}}{\text{Spring constant N}/\mu\text{m}}$$

Note:

The total of the forces a - e exerted must not exceed the permissible maximum load

- a) Proportional machine load
- b) Tensile force exerted by anchor bolt
- c) Dynamic forces
- d) Changing loads (moving machine parts or workpieces)
- e) Forces counteracting moments

Adjusting and anchor bolts

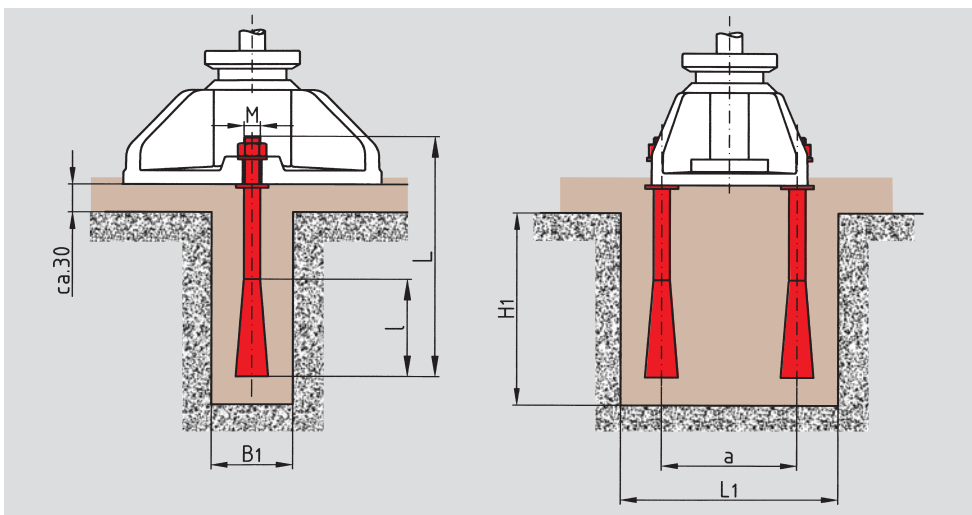


se

High tensile hold-down and adjusting bolt

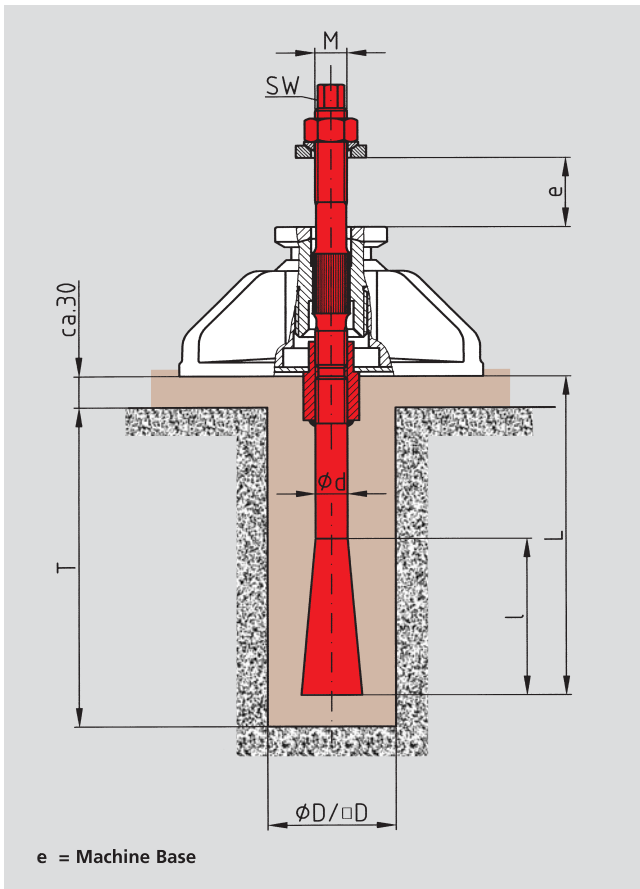
S	M	SW	t	f	short		e		long		e		Clamping force max. N
					L	I	from	to	L	I	from	to	
I	M16x1,5	12	12	80	170	65	20	40	190	65	40	60	53 000
II	M20x1,5	15	15	90	180	75	20	40	200	75	40	60	81 000
III	M24x1,5	19	19	105	235	90	35	60	255	90	60	80	115 000
IV	M30x1,5	24	24	125	310	110	60	90	-	-	-	-	182 000
V	M36x1,5	30	30	160	380	130	70	110	-	-	-	-	265 000

C Two side anchor bolts for securing the BW-Fixator® to the foundation



S	M	L	I	a	Foundations			Clamping Force max. N
					L1	B1	H1	
I	M10	125	55	88	135	50	120	45 000
II	M12	150	70	100	160	60	140	65 000
III	M16	250	90	120	200	70	240	120 000
IV	M20	300	100	150	250	80	290	190 000
V	M24	350	135	180	350	100	350	275 000

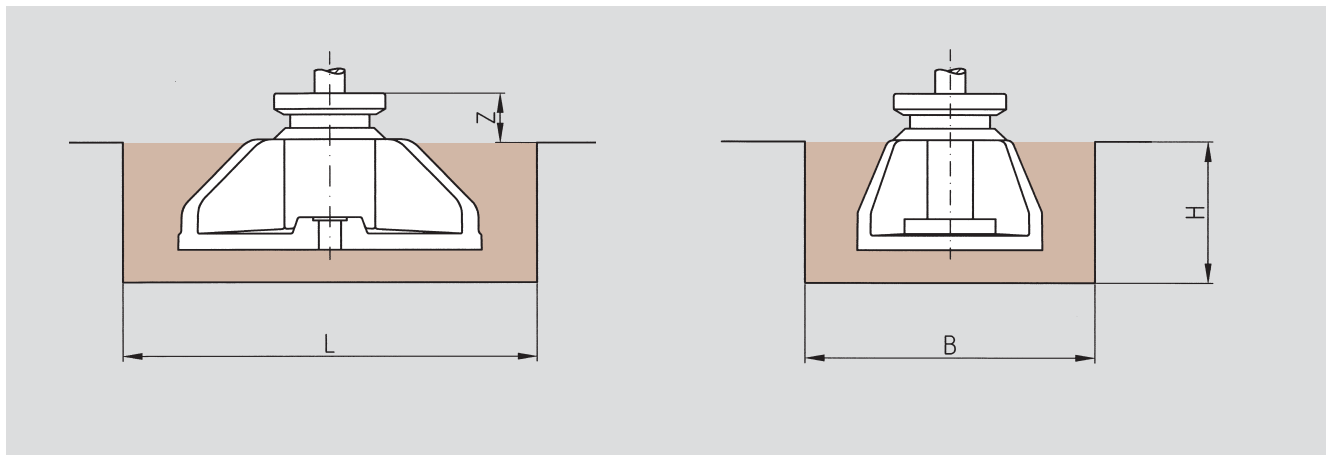
Adjusting and anchor bolts



sew

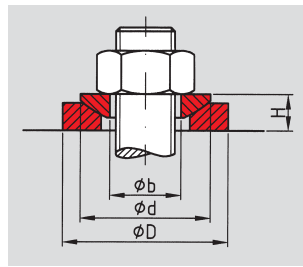
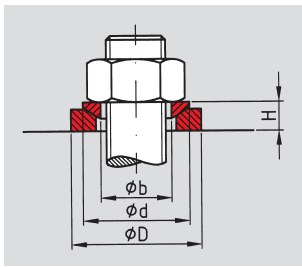
Center anchor
hold-down stud

S	M	SW	L	I	Ø d	D	T	Foundations	Clamping Force
									max. N
I	M16x1,5	12	150	90	16	70	180		53000
II	M20x1,5	15	200	100	20	80	250		81000
III	M24x1,5	19	270	135	24	100	320		115000
IV	M30x1,5	24	320	150	30	120	380		182000
V	M36x1,5	30	450	180	36	150	520		265000



S	Foundations			
	Z	L	B	H
I	30	300	160	100
II	35	330	200	110
III	40	350	240	140
IV	45	450	300	160
V	50	500	320	190

Other Applications



p Spherical washer set for non-parallel bearing surfaces

r Large spherical washer set for non-parallel bearing surfaces

S	Ø D	H	Ø d	Ø b
I	40	9	30	17
II	44	10	36	21
III	56	13	44	25
IV	68	16	56	31
V	78	20	68	37

S	Ø D	H	Ø d	Ø b
I	44	10	36	17
II	56	13	44	21
III	68	16	56	25
IV	80	16	56	31
V	100	20	68	37

Subject to modification without notice